



**T&S BRASS AND BRONZE WORKS, INC.**  
 2 SADDLEBACK COVE / P.O. BOX 1088 / TRAVELERS REST, SC 29690  
 PHONE 800-476-4103 - FAX 864- 834-3518



Sales No.

Flow Towers

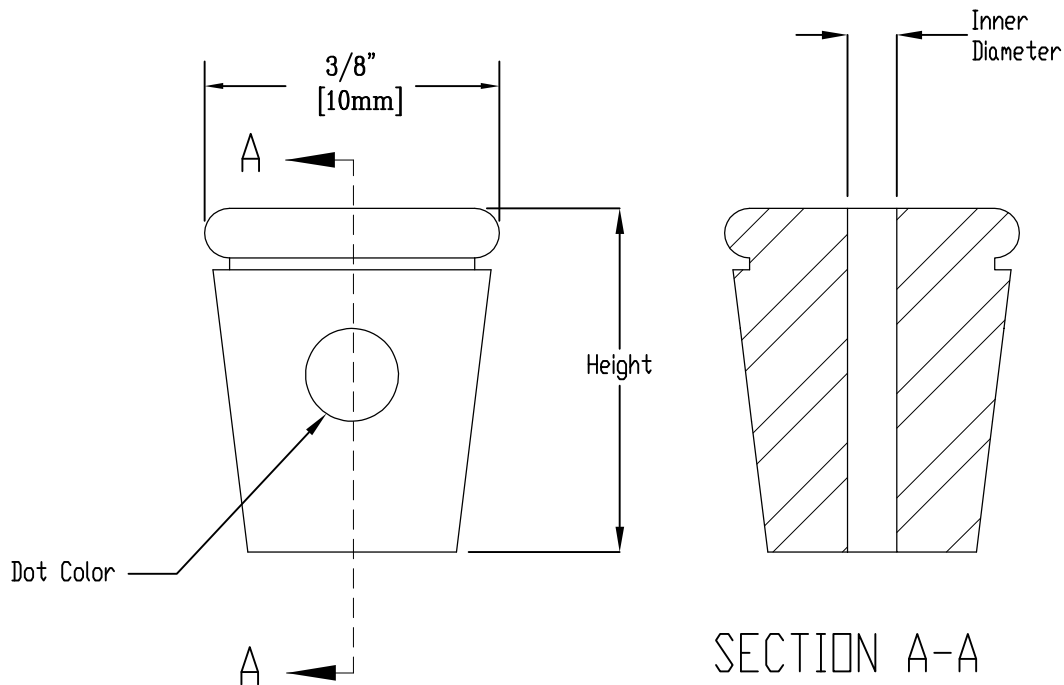
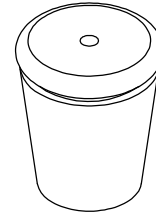
**RELIABILITY  
BUILT IN**

Job Name:

Architect/Engineer Approval:

Notes:

SALES NUMBER	HEIGHT	INNER DIAMETER	Dot Color	Flow Rate
001639-45	7/16	0.047	Blank	0.25 GPM
001640-45	7/16	0.063	Brown	0.4 GPM
001641-45	7/16	0.078	Green	0.7 GPM
001642-45	7/16	0.094	Gray	0.9 GPM
001643-45	7/16	0.109	Orange	1.2 GPM
001644-45	7/16	0.109	Purple	1.4 GPM
016232-45	7/16	0.125	Red	1.6 GPM
001645-45	7/16	0.125	Yellow	2.0 GPM
001646-45	5/16	0.141	White	2.5 GPM
001647-45	5/16	0.156	Blue	3.0 GPM



Product Description:

Flow Tower Series

Drawn:

DHL

Checked

MAV

Scale:

NTS

Approved

JHB

Date:

12/14/07